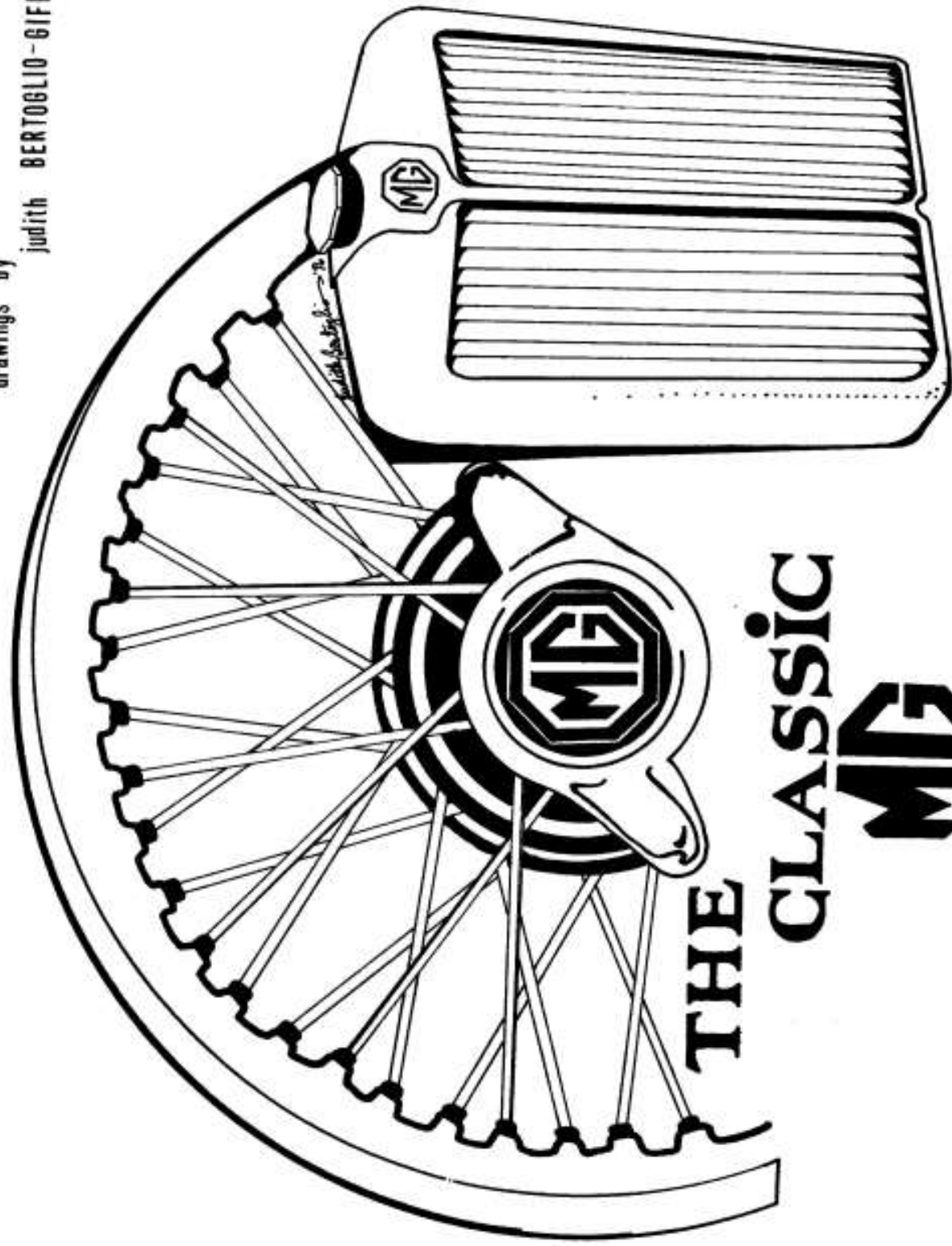


drawings by  
judith BERTOGLIO-GIFFIN

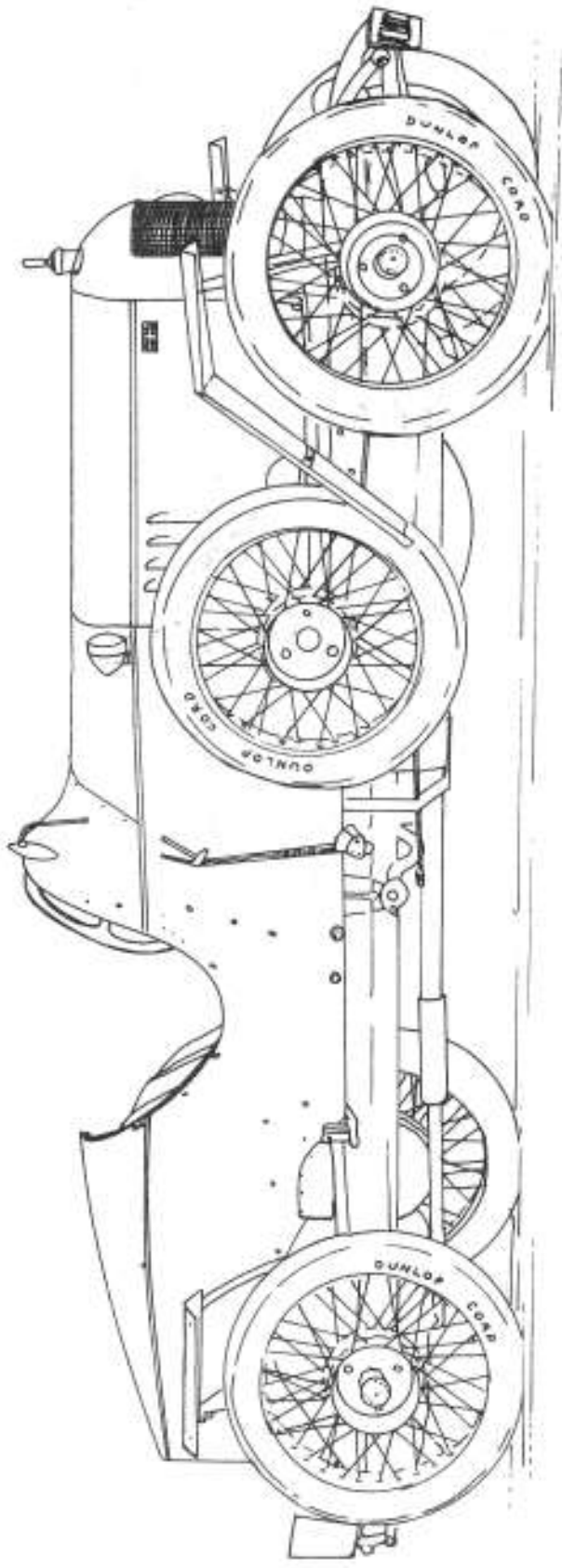


**THE  
CLASSIC**

**MG**

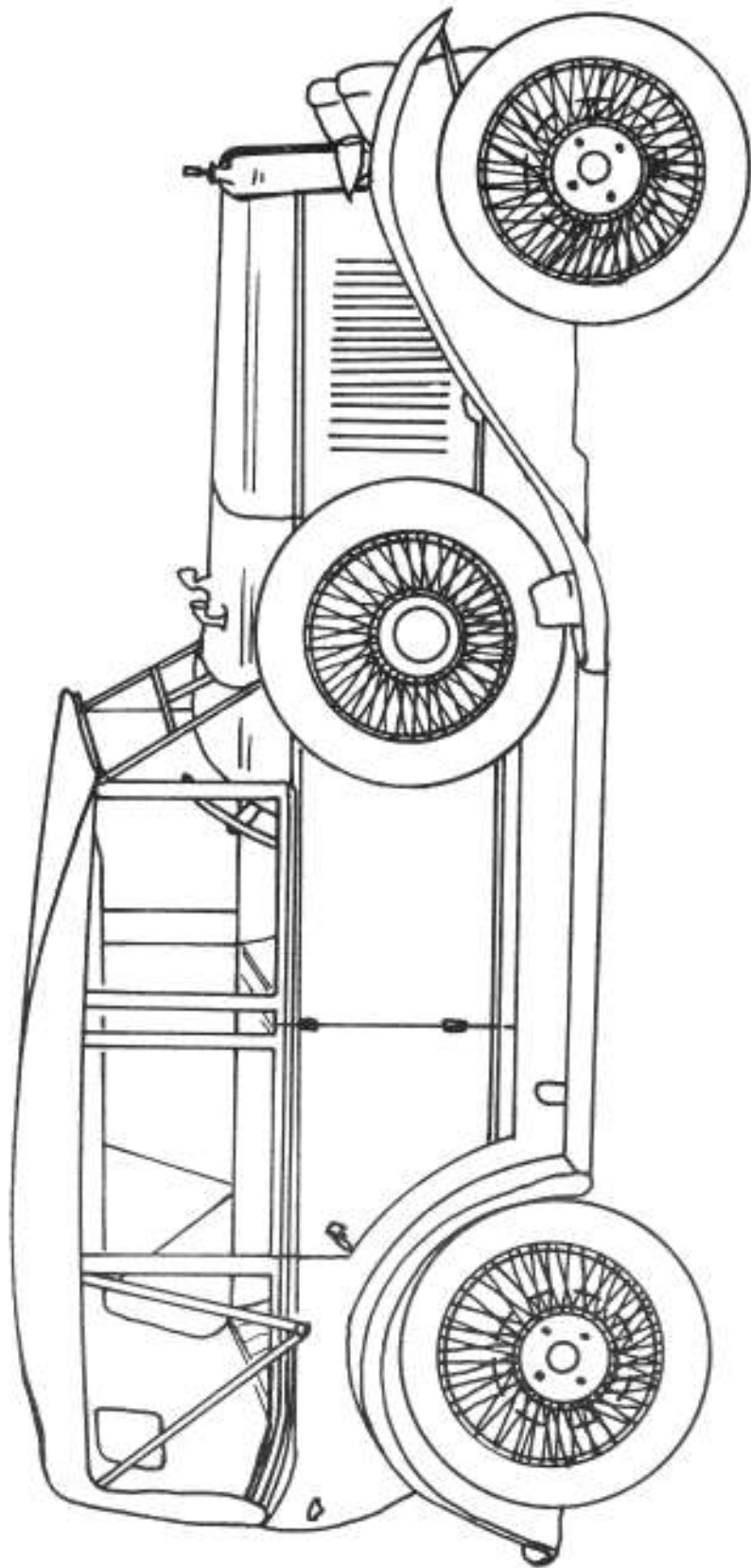
**COLORINGBOOK**

\*1

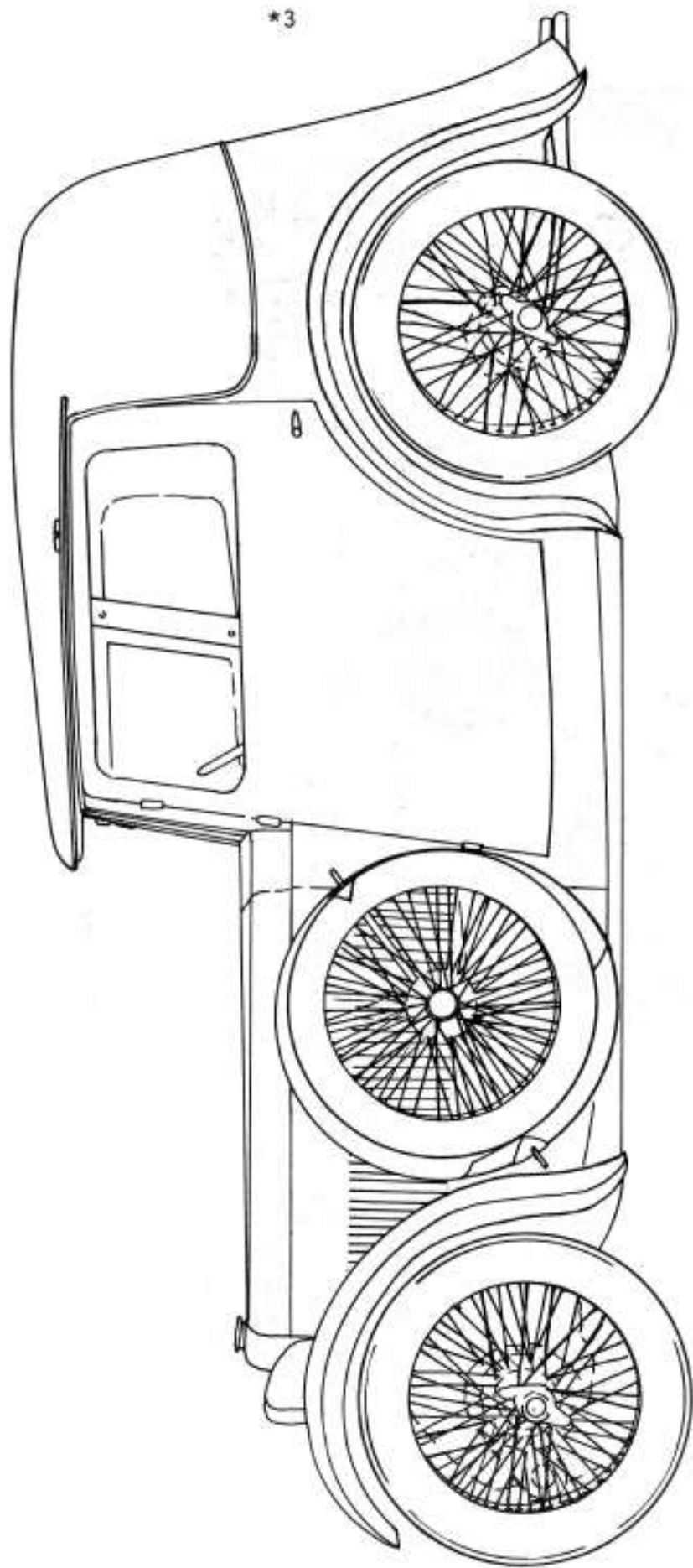


OLD # 1 produced in 1925

\*2



M.G. 14/40 produced 1924 - 1929

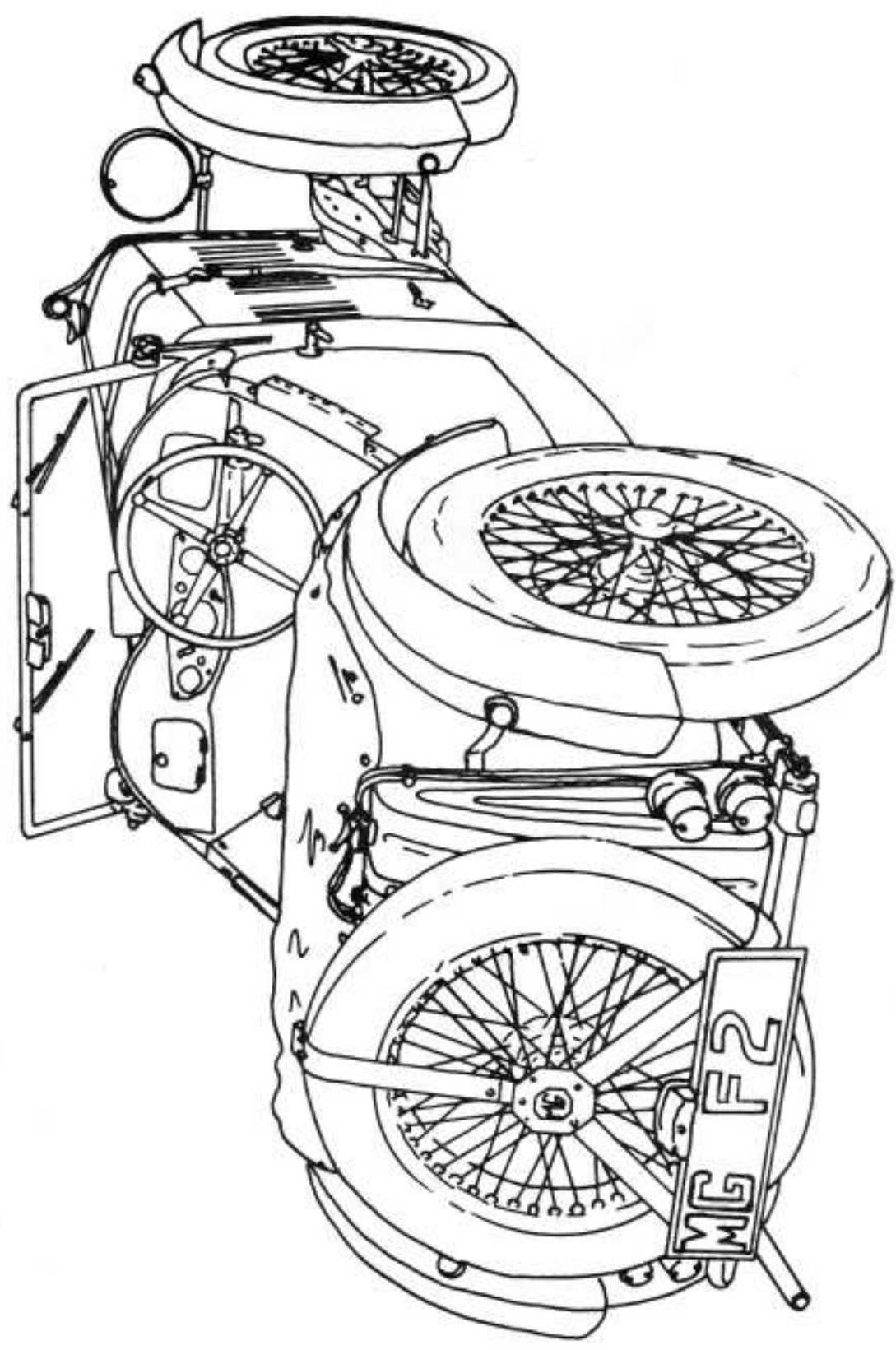


\*3

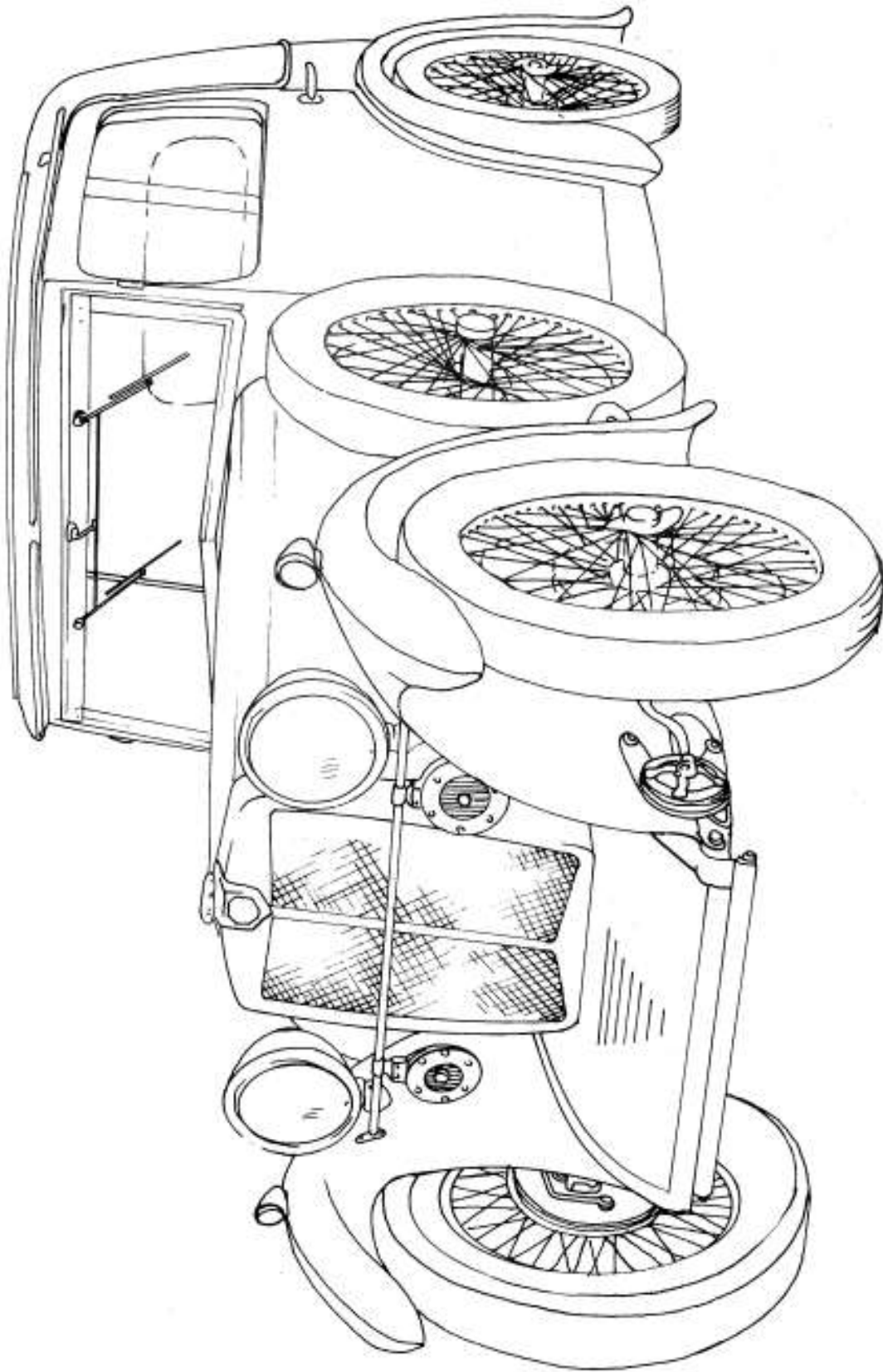
SALONETTE SHOWN HERE

M.G. F1 MAGNA produced 1931 - 1932

\*4

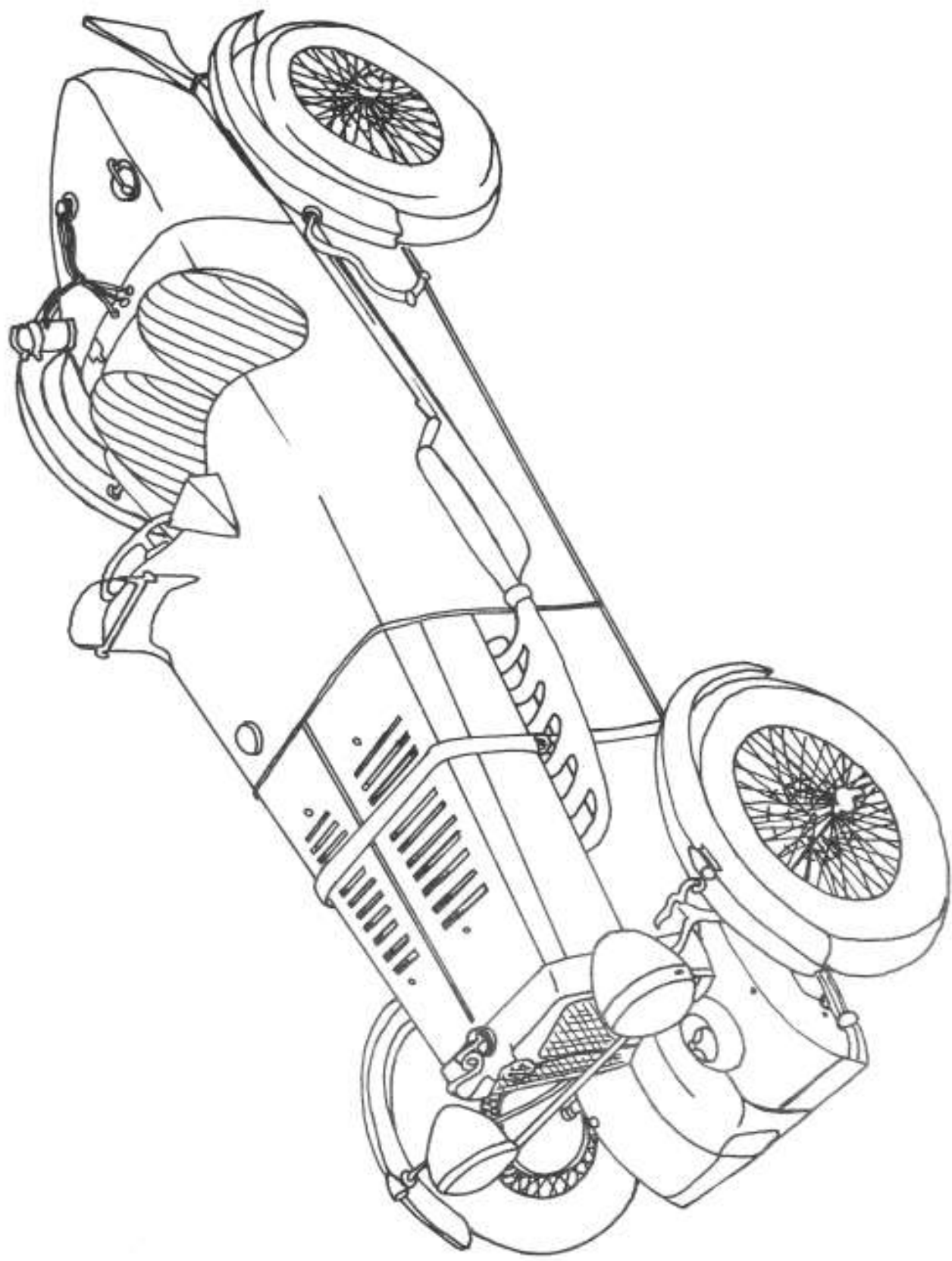


M.G. F2 MAGNA produced 1932 - 1933

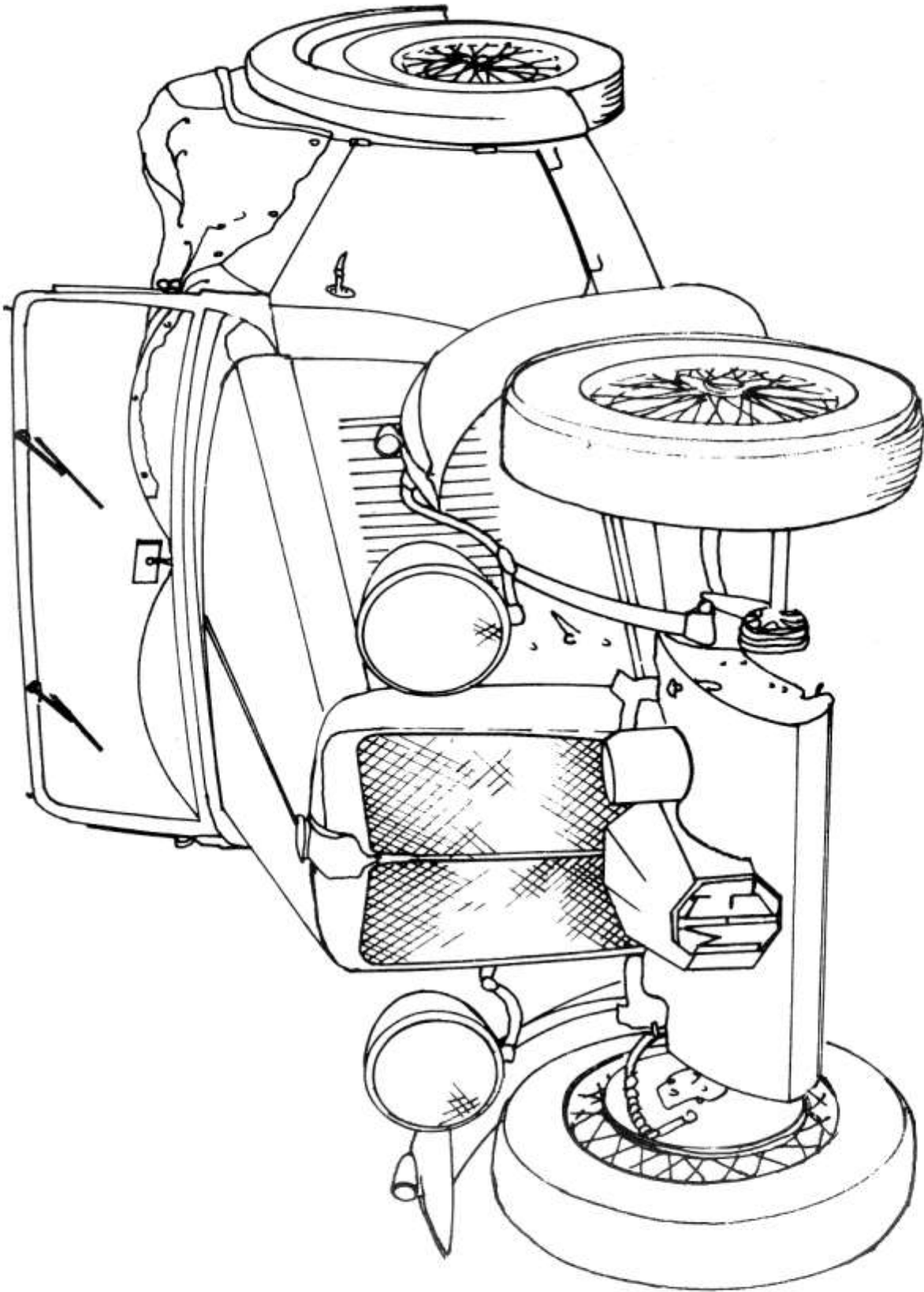


M.G. K2 MAGNETTE produced 1932 - 1935

SPECIAL JENSEN BODY

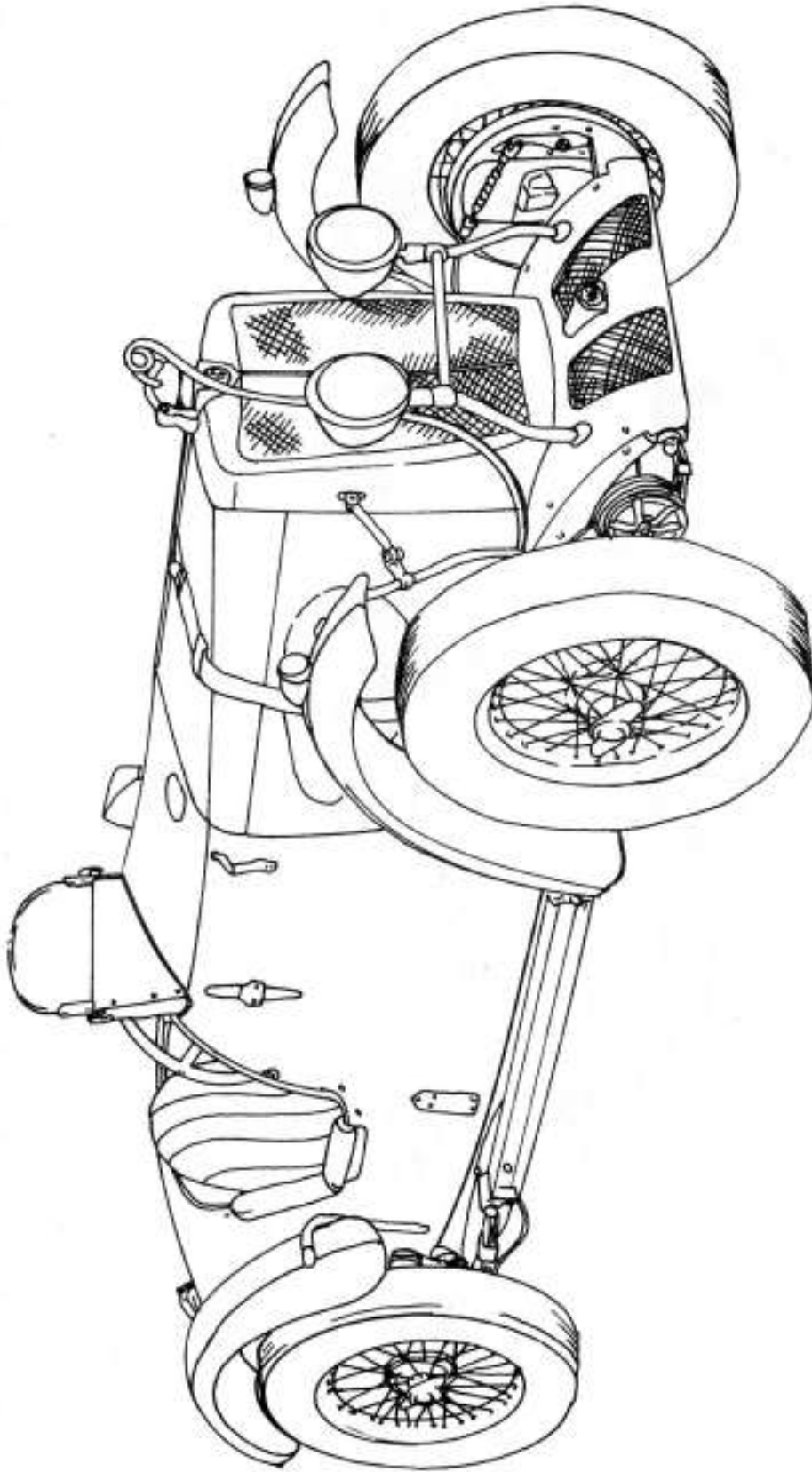


\*7



M.G. NA MAGNETTE produced 1934 - 1936

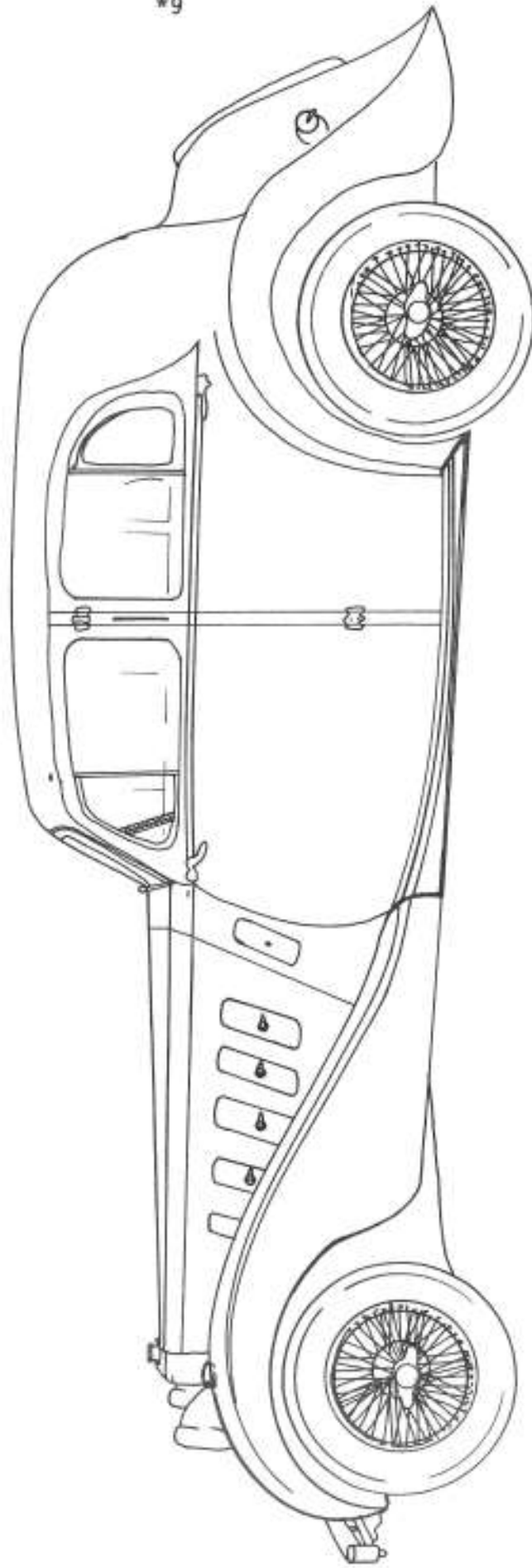




M.G. RACE CAR

M.G. NE MAGNETTE produced in 1934

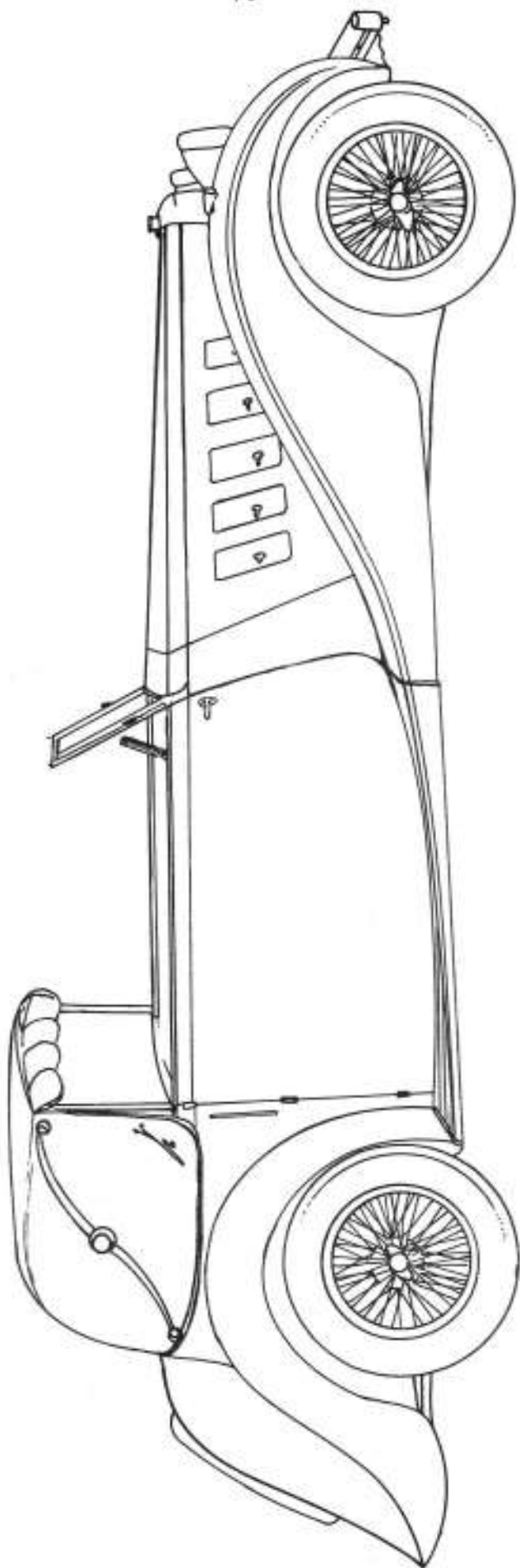
\*9



M.G. SA 2 litre produced 1936 - 1939

SALOON SHOWN HERE

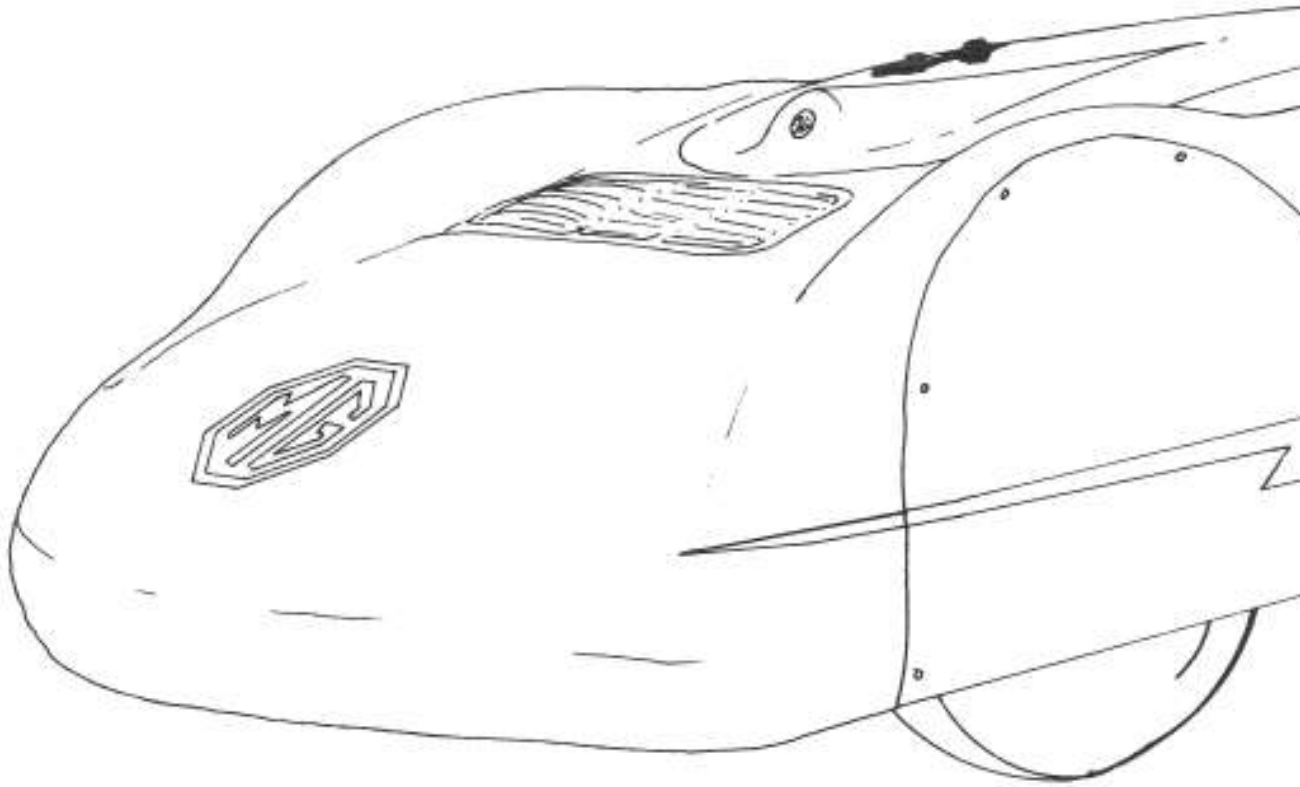
\*10



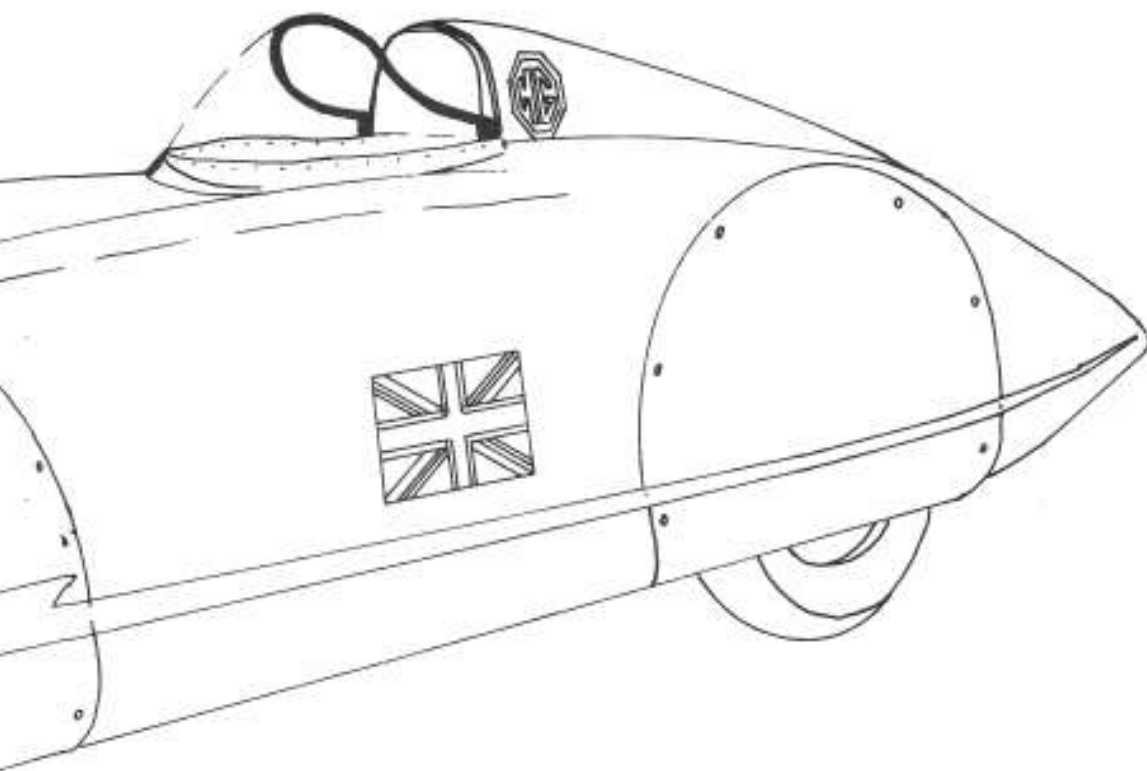
TICKFORD COUPE SHOWN HERE

M.G. SA 2 litre

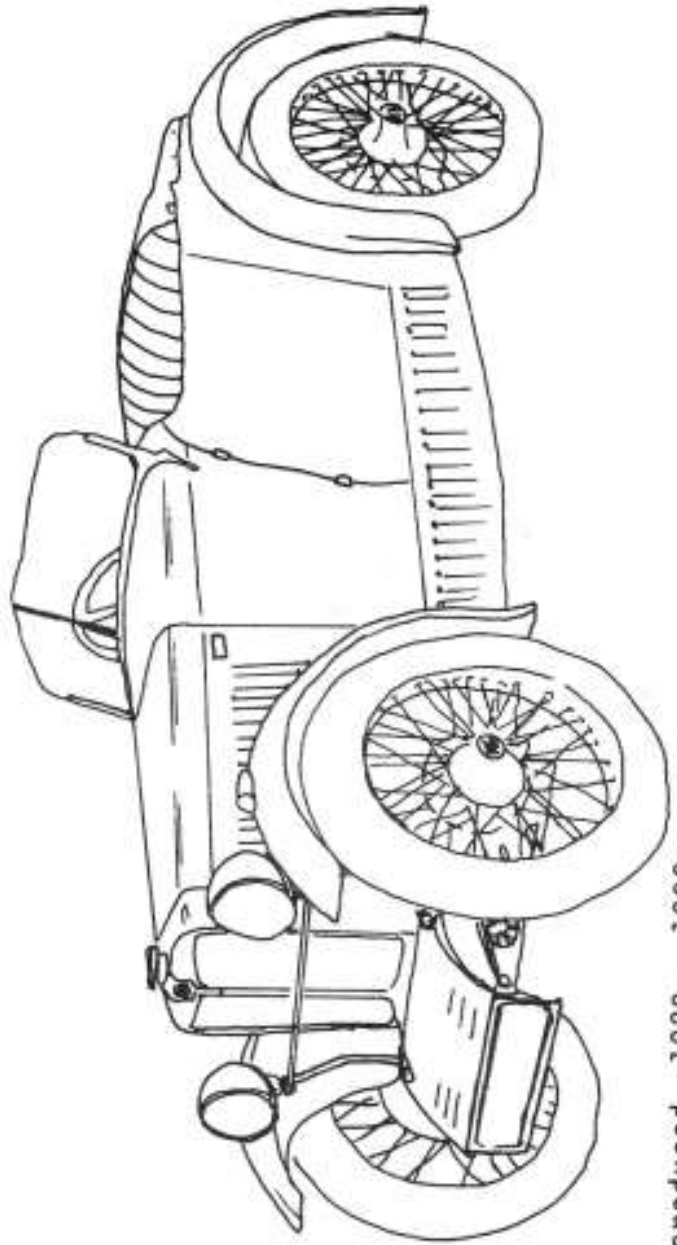
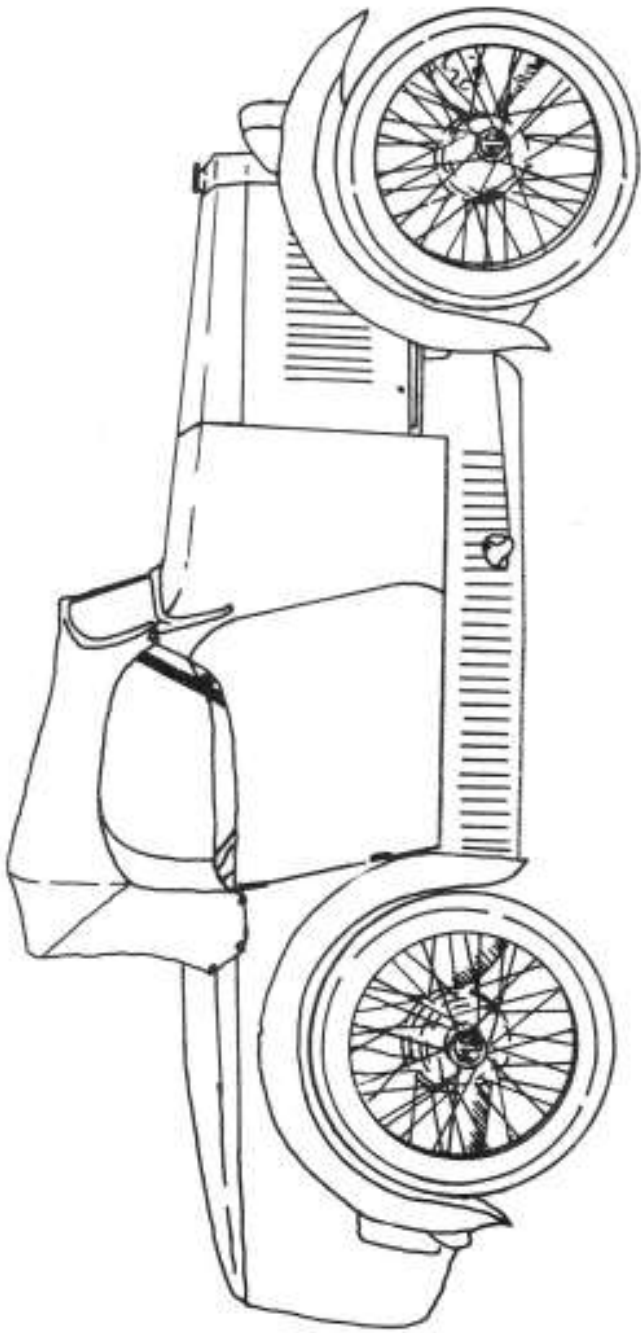
\*11



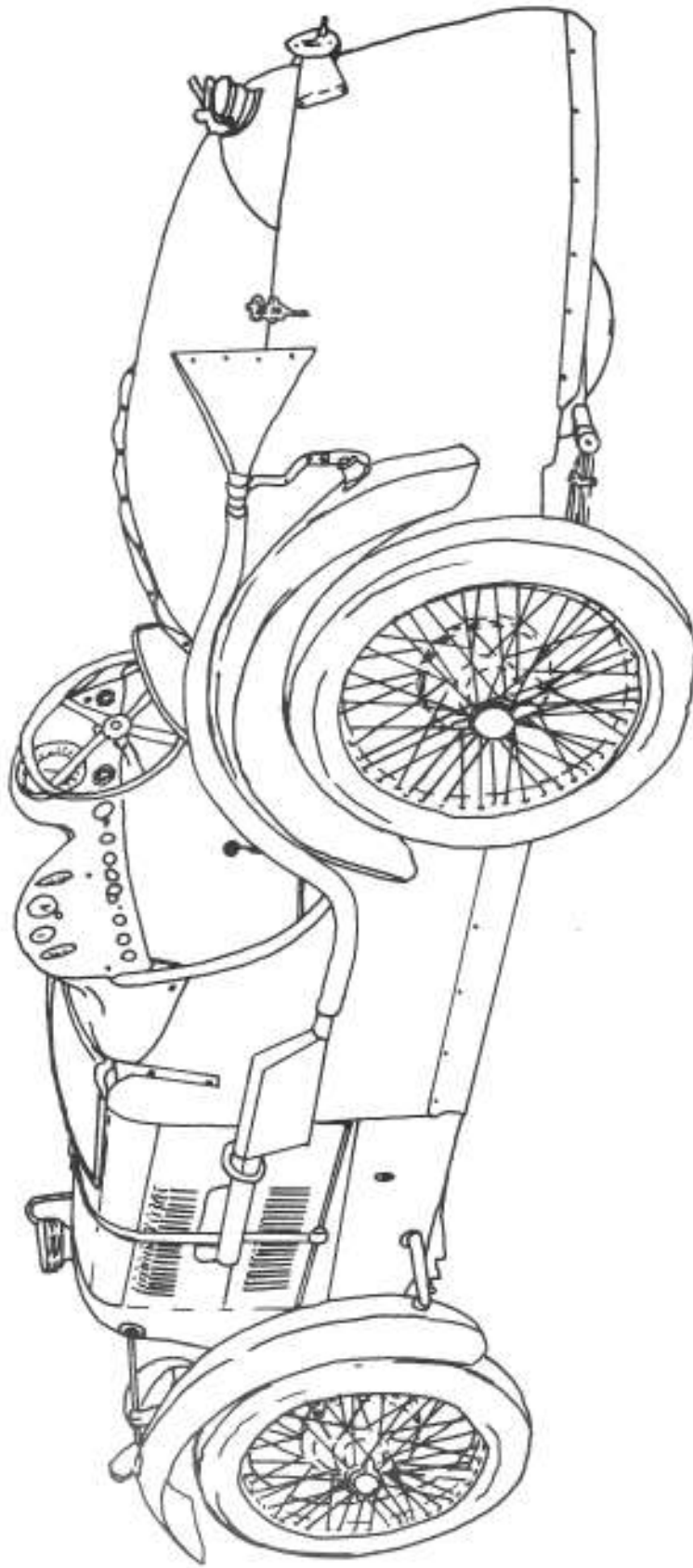
\*12



M.G. EX - 135 AS RACED BY GOLDIE GARDNER IN 1939

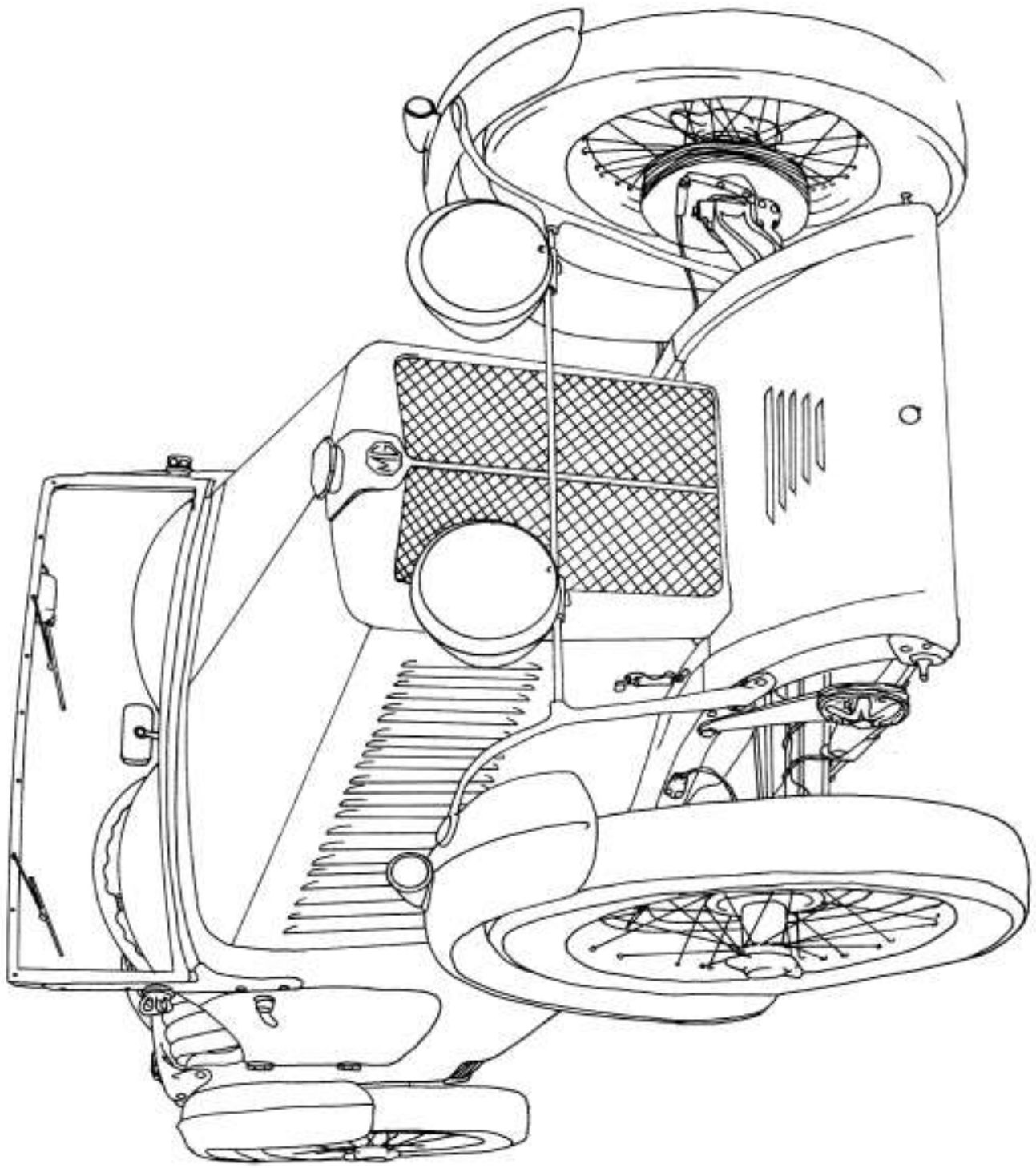


M.G. 'M' type MIDGET produced 1928 - 1932



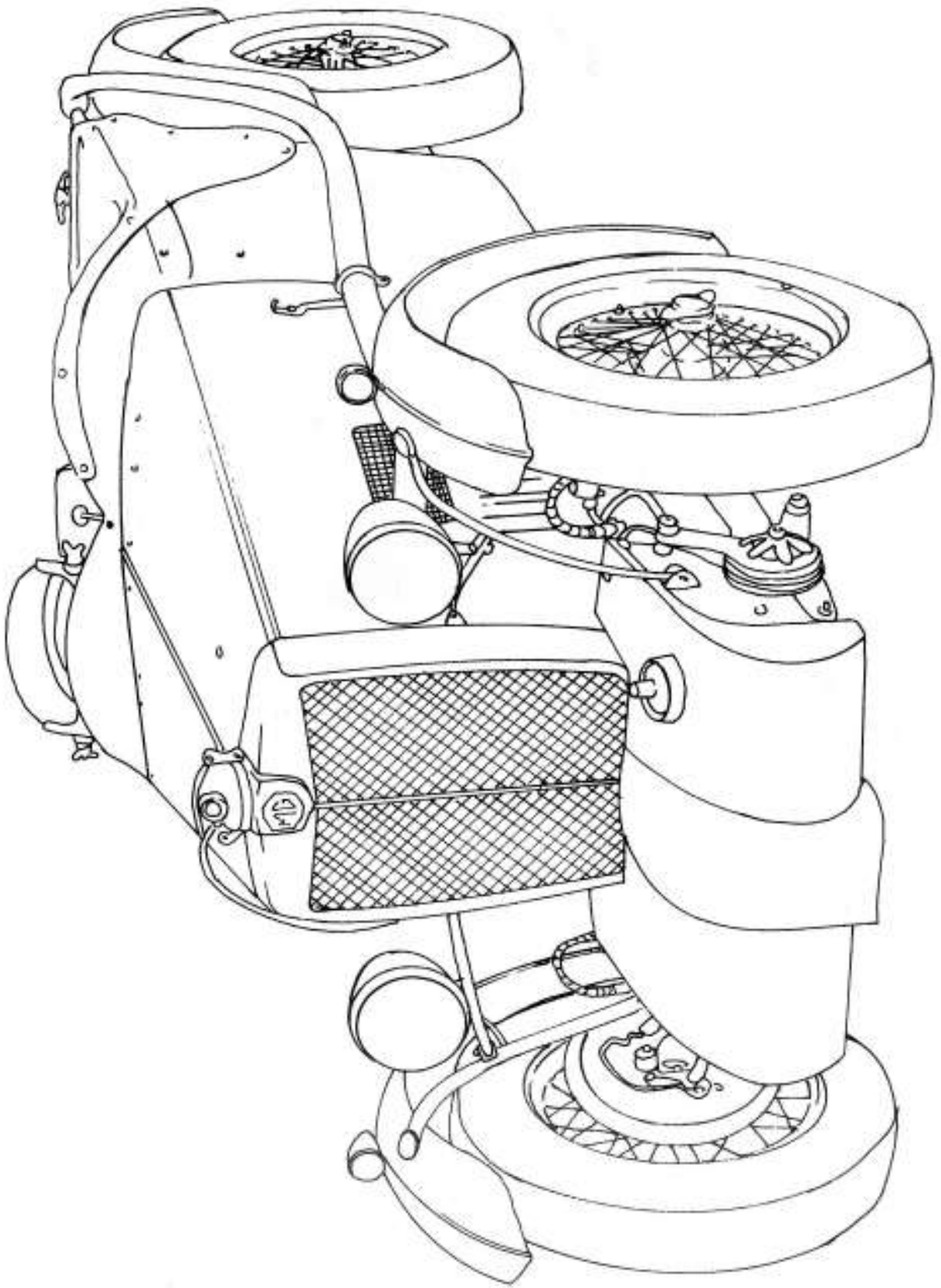
M.G. 'C' type MIDGET produced 1931 - 1932

"MONTLHERY" RACE CAR



M.G. J2 MIDGET produced 1932 - 1934



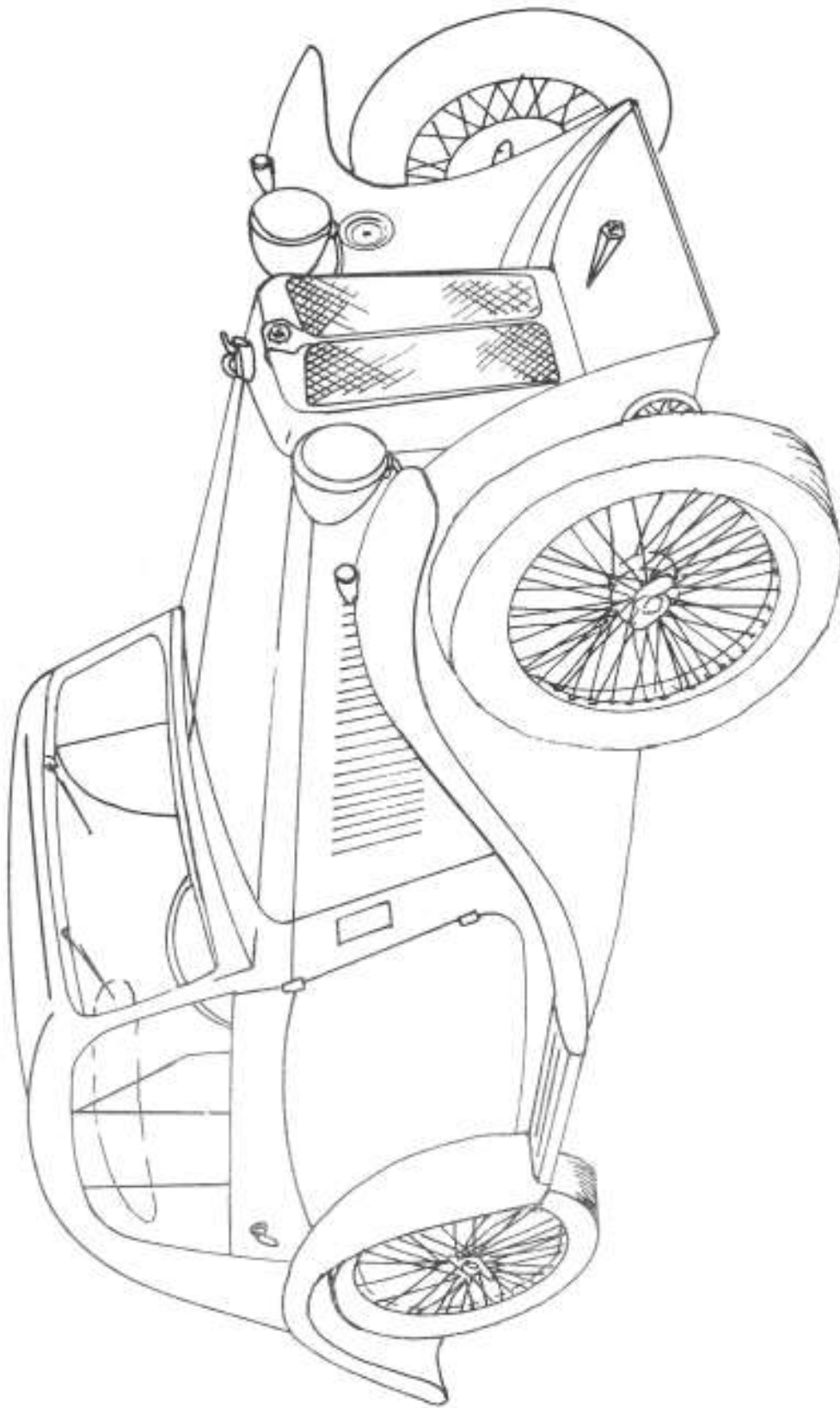


M.G. J4 MIDGET

produced in 1933

SUPER/CHARGED RACE CAR

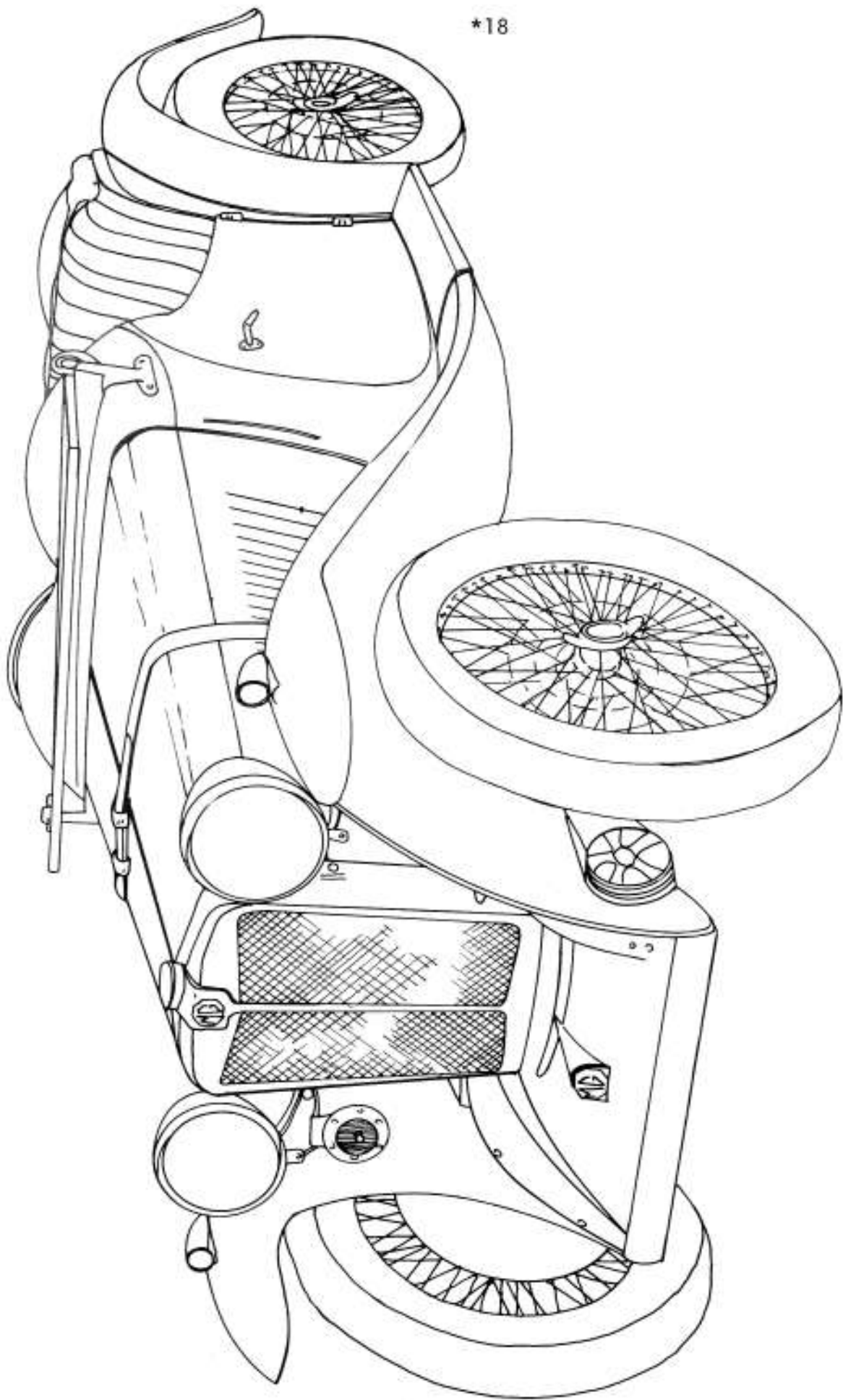
\*17



AIRLINE COUPÉ

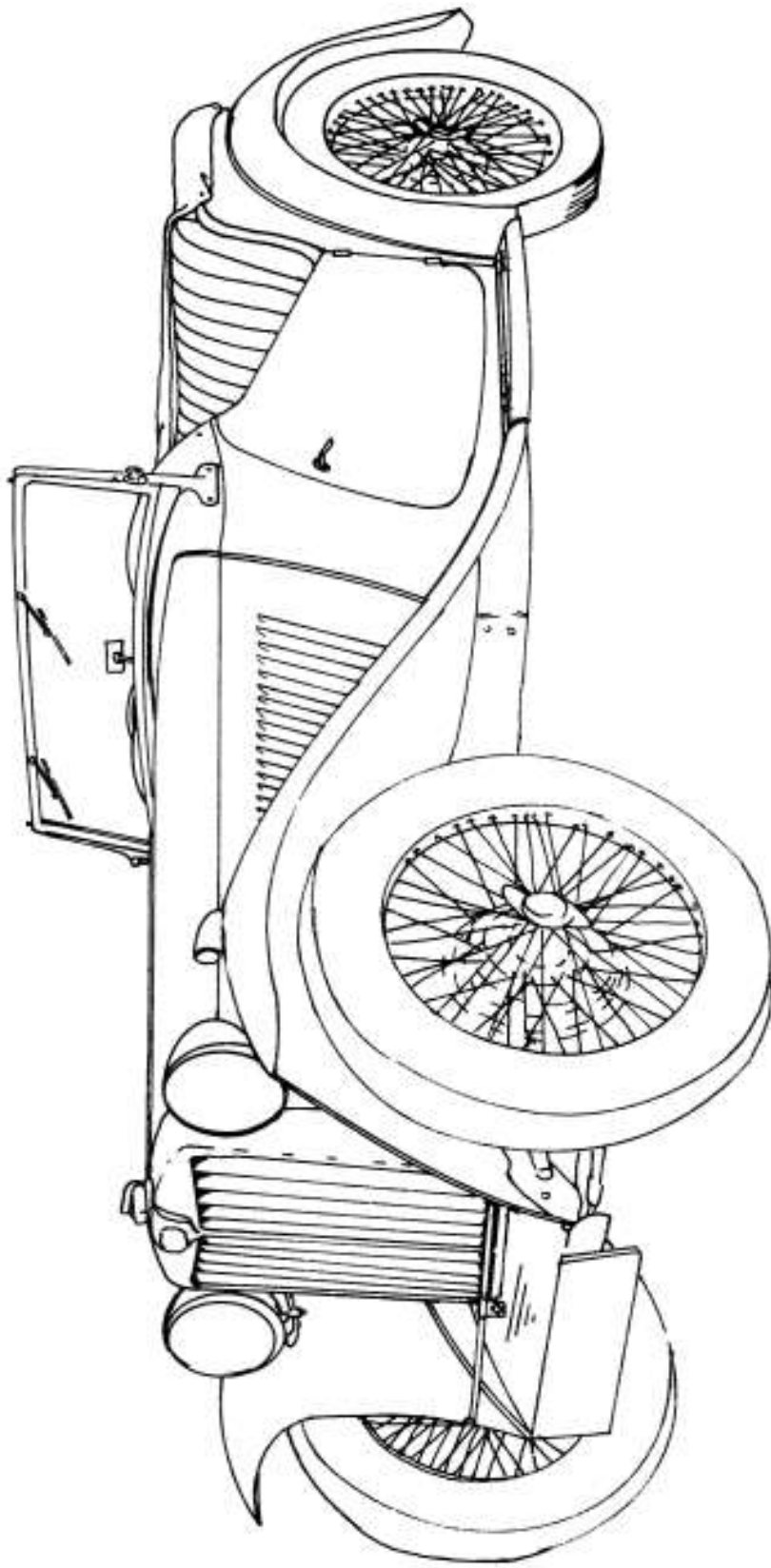
M.G. PA MIDGET produced 1934 - 1936

\*18

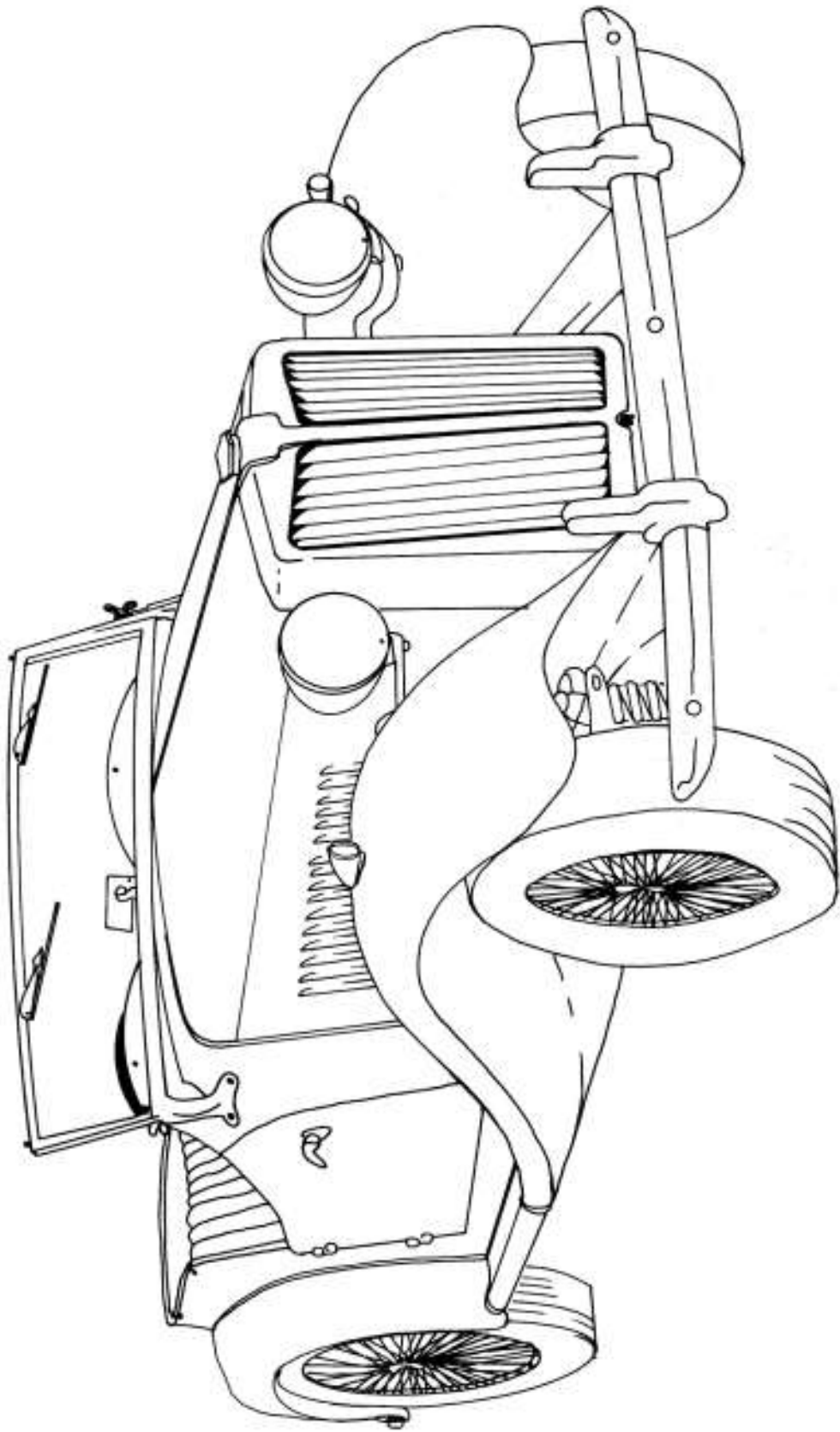


M.G. PB MIDGET produced 1935 - 1936

\*19

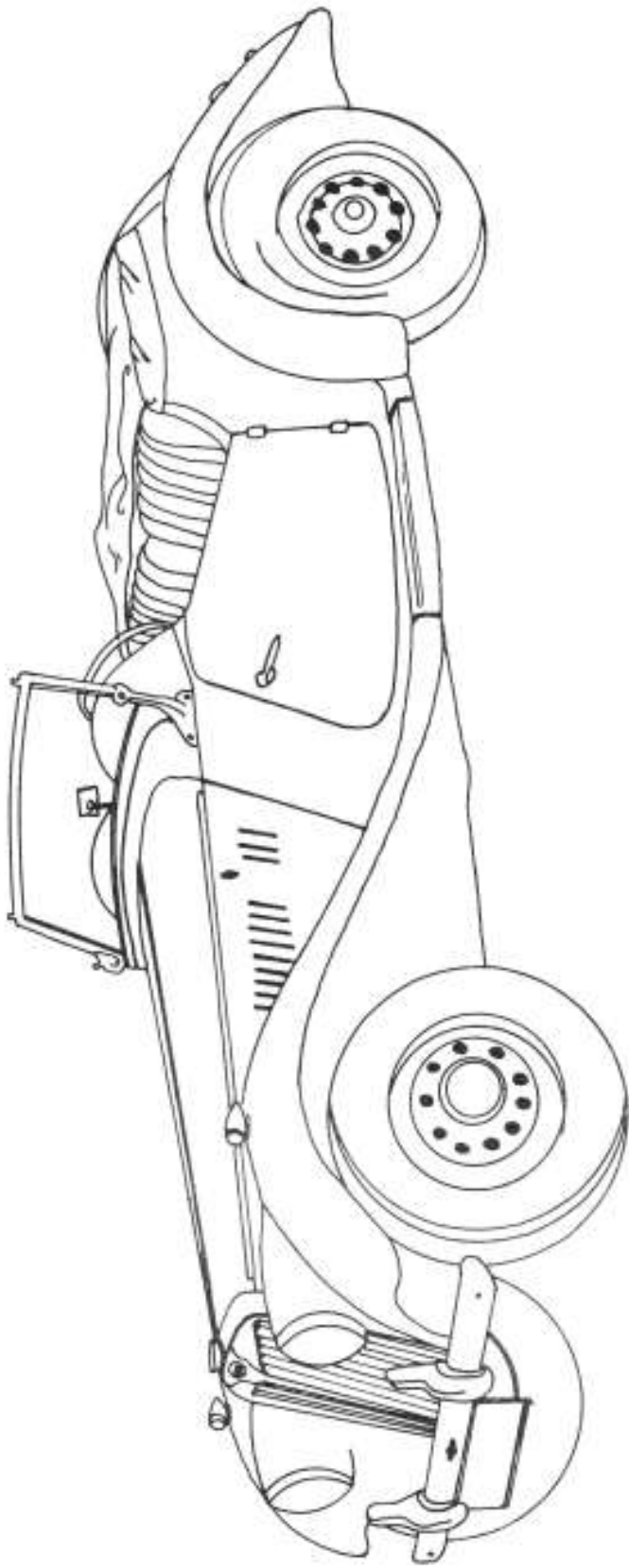


M.G. TC MIDGET produced 1945 - 1949



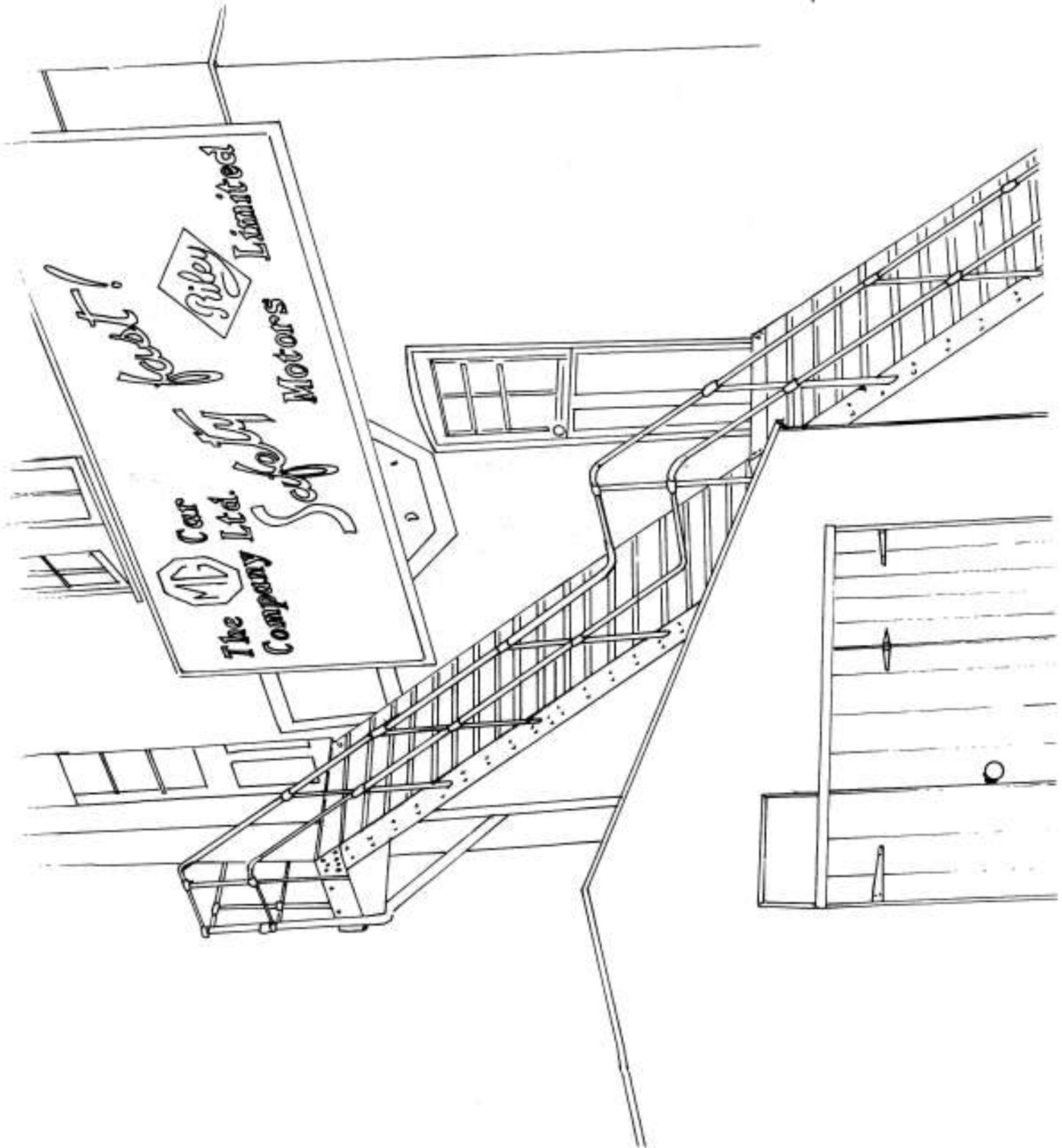
M.G. TD MIDGET produced 1950 - 1953

\*21



M.G. TF MIDGET      produced 1953 - 1955

THE FACTORY





a Bertoglio Design